



# YST-SW160/90

*Active Servo Processing Subwoofer System*

*Caisson de grave avec asservissement actif*



**OWNER'S MANUAL  
MODE D'EMPLOI  
BEDIENUNGSANLEITUNG  
BRUKSANVISNING  
MANUALE DI ISTRUZIONI  
MANUAL DE INSTRUCCIONES  
GEBRUIKSAANWIJZING**

Thank you for selecting this YAMAHA subwoofer system.

## CAUTION: READ THIS BEFORE OPERATING YOUR UNIT.

1. To assure the finest performance, please read this manual carefully. Keep it in a safe place for future reference.
2. Install this unit in a cool, dry, clean place, away from windows, heat sources, sources of excessive vibration, dust, moisture and cold. Avoid sources of humming (transformers, motors). To prevent fire or electrical shock, do not expose the unit to rain or water.
3. Never open the cabinet. If something drops into the set, contact your dealer.
4. Do not use force on switches, controls or connection wires. When moving the unit, first disconnect the power plug and the wires connected to other equipment. Never pull the wire itself.
5. Do not attempt to clean the unit with chemical solvents; this might damage the finish. Use a clean, dry cloth.
6. Be sure to read the "TROUBLESHOOTING" section regarding common operating errors before concluding that the unit is faulty.
7. When not planning to use this unit for long periods of time (i.e., vacation, etc.), disconnect the AC power plug from the wall outlet.
8. To prevent lightning damage, disconnect the AC power plug when there is an electrical storm.
9. Since this unit has a built-in power amplifier, heat will radiate from the rear panel. Therefore, place the unit apart from the walls, allowing enough space above, behind and on the both sides of the unit to prevent fire and damage. Also, do not position with the rear panel facing down on the floor or other surface.  
**<For U.K. and Europe models only>**  
Be sure to allow a space of at least 20 cm above, behind and on the both sides of the unit.
10. Super-bass frequencies reproduced by this unit may cause a turntable to generate a howling sound. In such a case, move this unit away from the turntable.
11. Vibration generated by super-bass frequencies may cause images on a TV to be distorted. In such a case, move this unit away from the TV set.
12. This unit features a magnetically shielded design, but there is still a chance that placing it too close to a TV set might impair picture color. Should this happen, move this unit away from the TV set.
13. If you hear distortion (i.e., unnatural, intermittent "rapping" or "hammering" sounds) coming from this unit, reduce the volume level. Extremely loud playing of a movie soundtrack's low frequency, bass-heavy sounds or similarly loud popular music passages can damage this speaker system.
14. **Voltage Selector (General and China Models only)**  
The voltage selector on the rear panel of this unit must be set for your local main voltage BEFORE plugging into the AC main supply.  
Voltages are AC 110/120/220/240V, 50/60 Hz.

15. **Secure placement or installation is the owner's responsibility.**  
**YAMAHA shall not be liable for any accident caused by improper placement or installation of speakers.**

### IMPORTANT

Please record the serial number of this unit in the space below.

Serial No.:

The serial number is located on the rear of the unit. Retain this Owner's Manual in a safe place for future reference.

### WARNING

TO REDUCE THE RISK OF FIRE OR ELECTRIC SHOCK, DO NOT EXPOSE THIS UNIT TO RAIN OR MOISTURE.

### FOR CANADIAN CUSTOMERS

TO PREVENT ELECTRIC SHOCK, MATCH WIDE BLADE OF PLUG TO WIDE SLOT AND FULLY INSERT.

THIS CLASS B DIGITAL APPARATUS COMPLIES WITH CANADIAN ICES-003.

### For U.K. customers

If the socket outlets in the home are not suitable for the plug supplied with this appliance, it should be cut off and an appropriate 3 pin plug fitted. For details, refer to the instructions described below.

**Note:** The plug severed from the mains lead must be destroyed, as a plug with bared flexible cord is hazardous if engaged in a live socket outlet.

### SPECIAL INSTRUCTIONS FOR U.K. MODEL

#### IMPORTANT

THE WIRES IN THE MAINS LEAD ARE COLOURED IN ACCORDANCE WITH THE FOLLOWING CODE:

Blue: NEUTRAL

Brown: LIVE

As the colours of the wires in the mains lead of this apparatus may not correspond with the coloured markings identifying the terminals in your plug, proceed as follows: The wire which is coloured BLUE must be connected to the terminal which is marked with the letter N or coloured BLACK. The wire which is coloured BROWN must be connected to the terminal which is marked with the letter L or coloured RED. Making sure that neither core is connected to the earth terminal of the three pin plug.

# CONTENTS

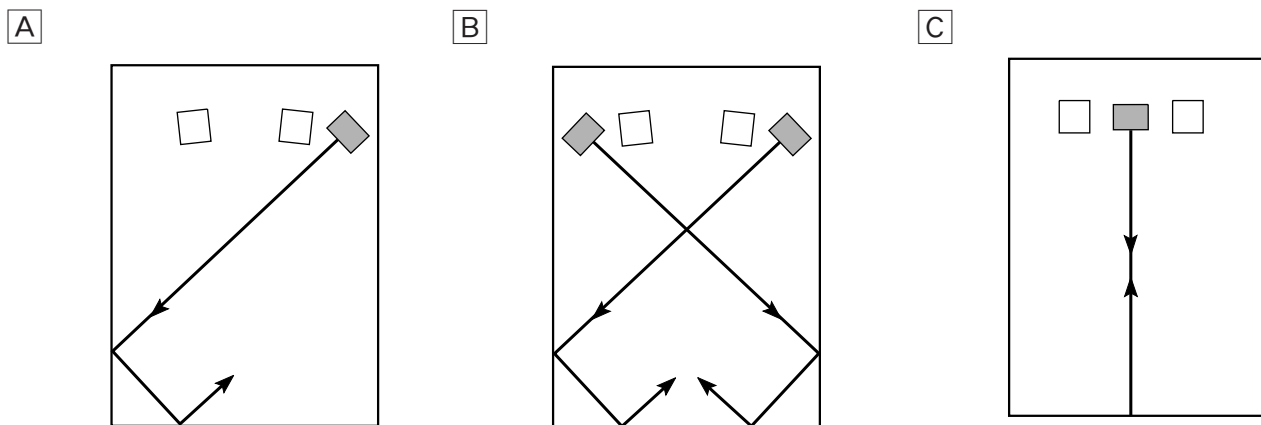
Caution .....	2
Features .....	3
Placement .....	3
Connections .....	4
Controls and their functions .....	7

Adjusting volume .....	8
Advanced YAMAHA Active Servo Technology .....	10
Troubleshooting .....	11
Specifications .....	11

## FEATURES

- This subwoofer system employs Advanced YAMAHA Active Servo Technology which YAMAHA has developed for reproducing higher quality super-bass sound. (Refer to page 10 for details on Advanced YAMAHA Active Servo Technology.) This super-bass sound adds a more realistic, theater-in-the-home effect to your stereo system.
- This unit can be added easily to your existing audio system by connecting to either the speaker terminals or the line output (pin jack) terminals of the amplifier.
- For the effective use of this unit, this unit's super-bass sound must be matched to the sounds of your main speakers. You can create the best sound quality for various listening conditions by using the **HIGH CUT** control and the **PHASE** switch.
- The Automatic Standby function saves you the trouble of pressing the **STANDBY/ON** button to turn the power on and off.
- You can select bass effect suitable to the source by using the **BASS** switch. **YST-SW160 only**

## PLACEMENT



(  : subwoofer,  : main speaker)

One subwoofer will have a good effect on your audio system, however, the use of two subwoofers is recommended to obtain more presence.

If using one subwoofer, it is recommended to place it on the outside of either the right or the left main speaker. (See fig. **A**.) If using two subwoofers, it is recommended to place them on the outside of each main speaker. (See fig. **B**.) The placement shown in fig. **C** is also possible, however, if the subwoofer system is placed directly facing the wall, the bass effect may die because the sound from it and the sound reflected by the wall may cancel. To prevent this, face the subwoofer system obliquely to the wall as in fig. **A** or **B**.

### Note

There may be a case that you cannot obtain enough super-bass sounds from this unit when listening at the middle of the room. This is because “standing waves” have developed between two parallel walls and the bass sounds are canceled. In such a case, face the unit obliquely to the wall. It also may be necessary to break up the parallel surfaces by placing bookshelves etc. along the walls.

# CONNECTIONS

Never plug in the subwoofer and other audio/video components until all connections are completed.

- When making connections between this unit and other components, be sure all connections are made firmly and correctly; L (left) to L, R (right) to R, + to + and – to –.
- This unit can be connected to either the speaker terminals or the line output (pin jack) terminals of the amplifier. Choose one of the connections shown below according to your audio system. Refer also to the owner's manuals supplied for your audio system.

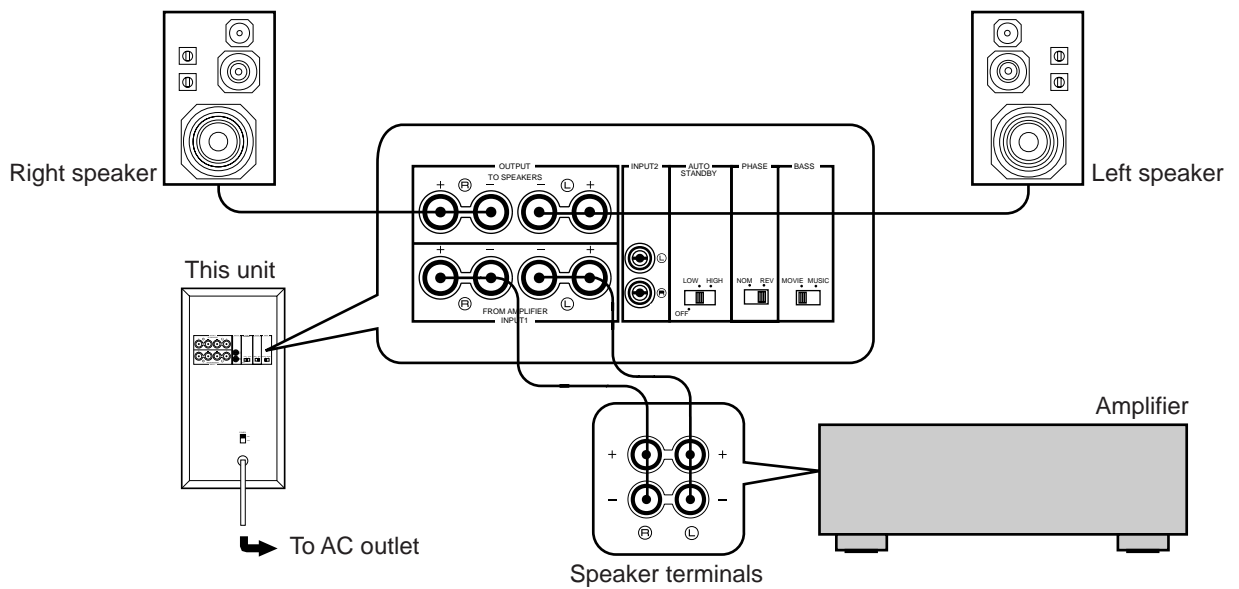
## CONNECTING TO SPEAKER TERMINALS OF THE AMPLIFIER

### Using one unit

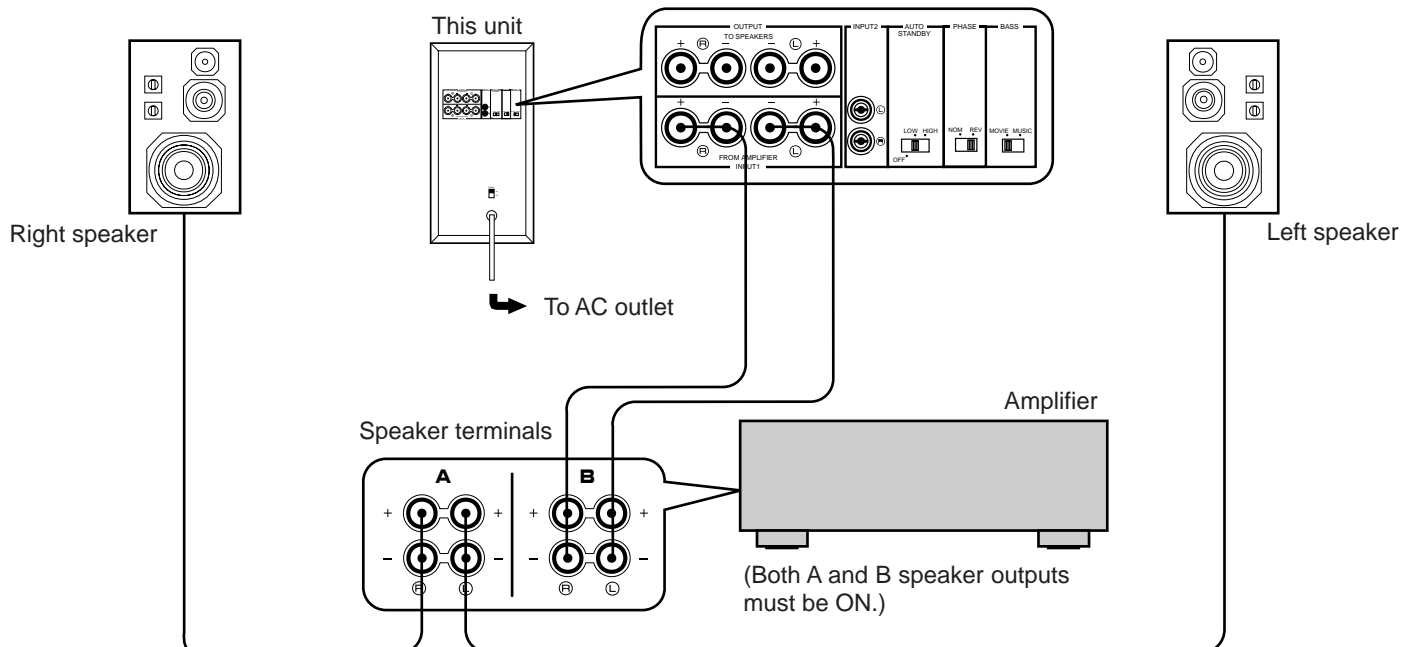
*Illustrations of the unit used in this manual are of YST-SW160 unless mentioned otherwise.*

When your amplifier has one set of speaker terminals

- Disconnect your main speakers from the amplifier if connected, and connect them to the speaker terminals of this unit.

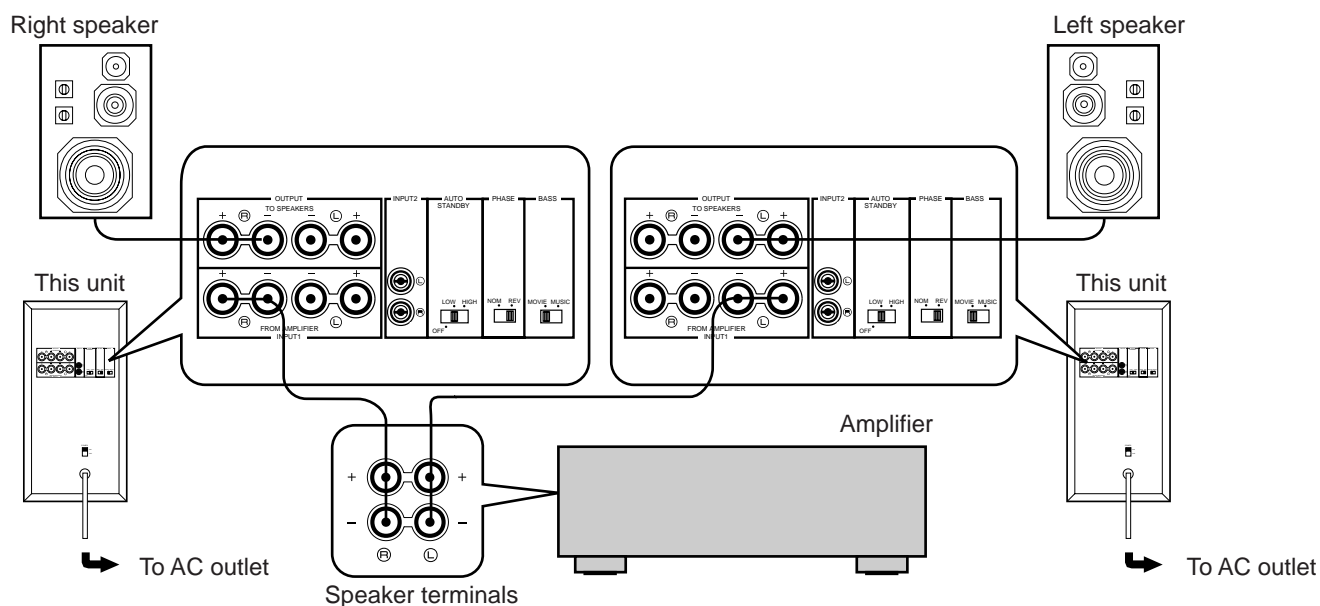


When your amplifier has two sets of speaker terminals



## Using two units

Disconnect your main speakers from the amplifier if connected, and connect them to the speaker terminals of this unit.



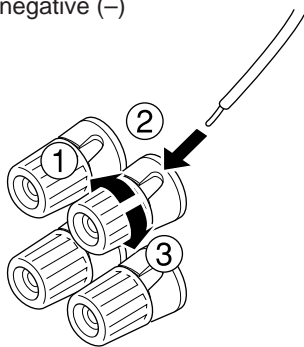
## Connecting to this unit's OUTPUT/INPUT terminals

For connections, keep the speaker wires as short as possible. (Cut the excessive wire, if necessary.) If the connections are faulty, no sound will be heard from the speakers. Make sure that the polarity of the speaker wires is correct, by observing + and – markings. If these wires are reversed, the sound will be unnatural and will lack bass.

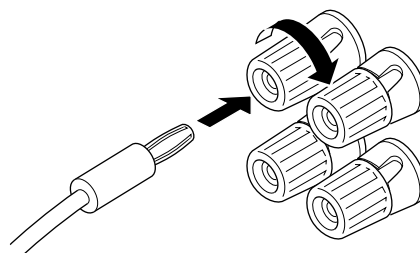
**Do not let the core of the speaker wires touch each other and do not let them touch the metal parts of this unit as this could damage this unit, your amplifier and/or speakers.**

### How to Connect:

Red: positive (+)  
Black: negative (–)



- ① Unscrew the knob.
- ② Insert the core of the wire. [Remove approx. 5 mm (1/4") insulation from the speaker wires.]
- ③ Tighten the knob to secure the wire firmly.

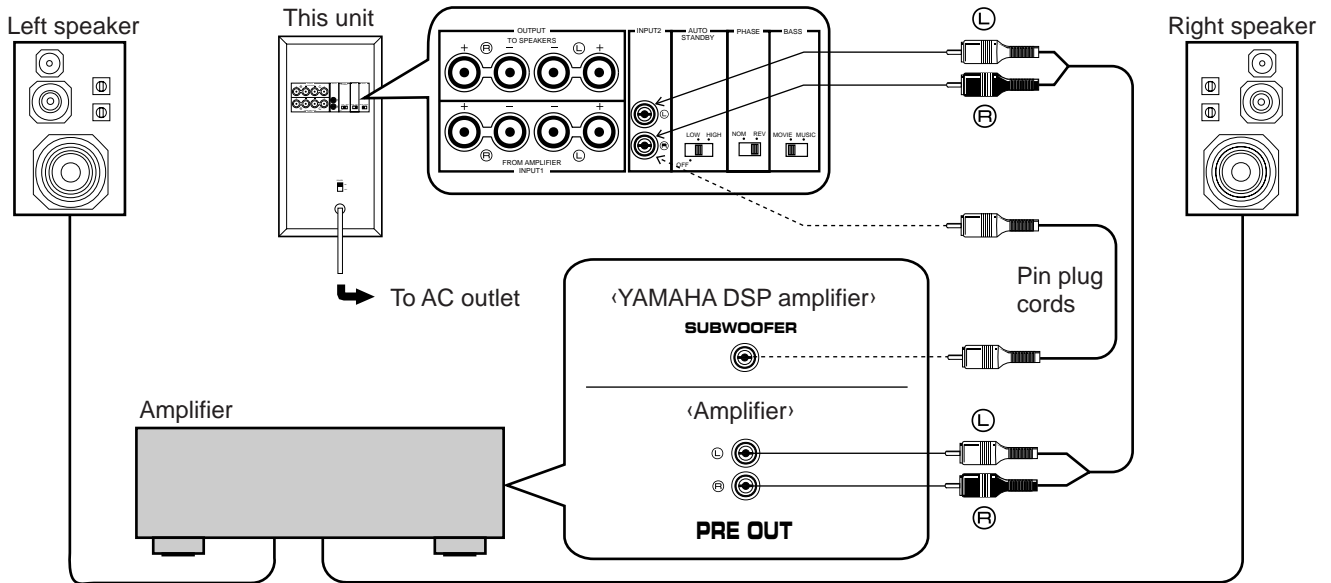


- \* Banana Plug connections are also possible (except for U.K. and Europe models). Simply insert the Banana Plug connector into the corresponding terminal.

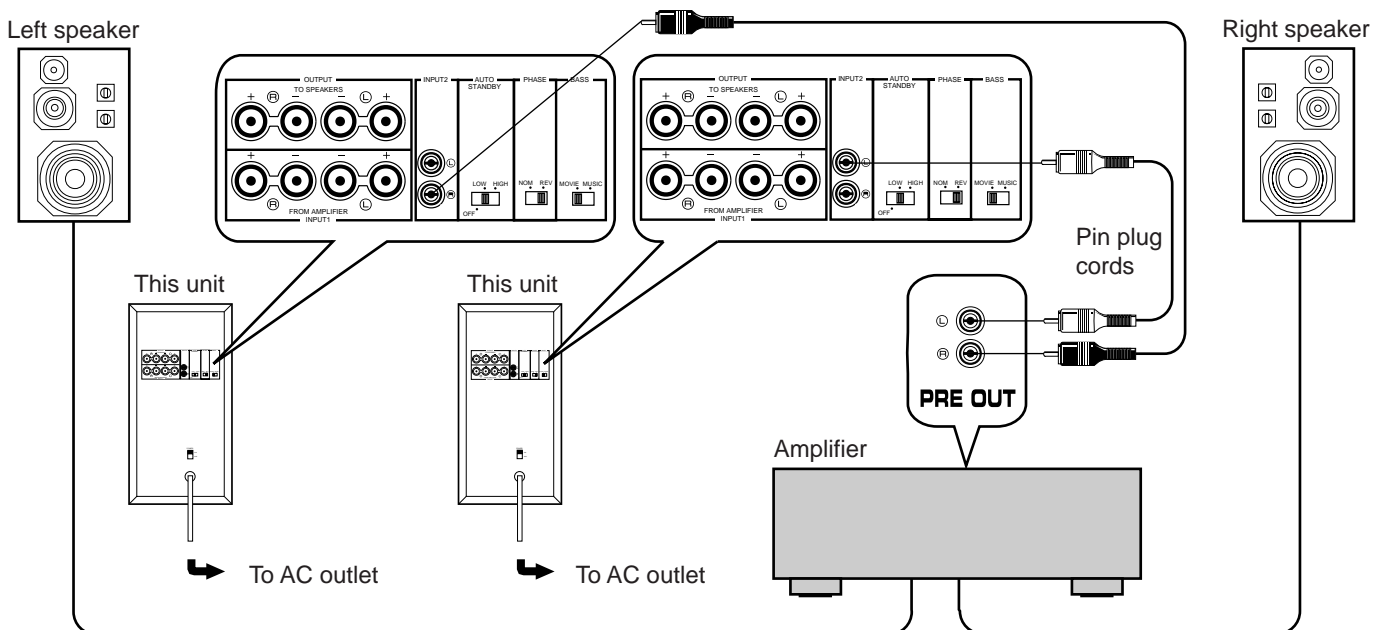
## CONNECTING TO LINE OUTPUT (PIN JACK) TERMINALS OF THE AMPLIFIER

- Connect the main speakers to the speaker output terminals of the amplifier.
- Amplifier line output terminals are generally labeled PRE OUT or SUBWOOFER OUT.
- To connect with a YAMAHA DSP amplifier, connect the SUBWOOFER (or LOW PASS etc.) terminal on the rear of the DSP amplifier to either the left (L) or right (R) INPUT 2 terminal.

### Using one unit



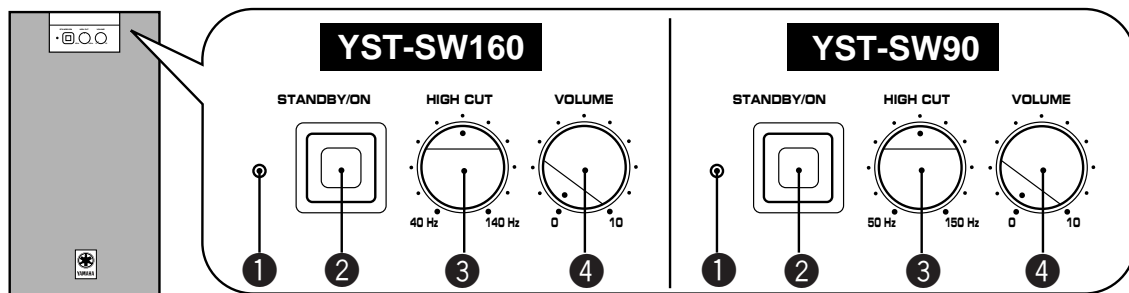
### Using two units



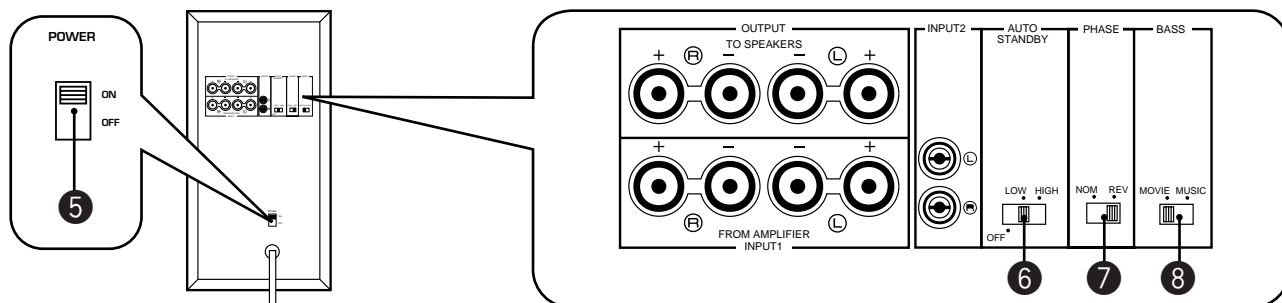
#### Notes on the above connections

- When connected to line output terminals of the amplifier, other speakers should not be connected to the OUTPUT terminals on the rear panel of the subwoofer. If connected, they will not produce sound.
- When connecting this unit to a monaural line output terminal of the amplifier, connect to either the left or right INPUT 2 terminal.
- For using a power amplifier and a preamplifier, the preamplifier must have two sets of PRE OUT terminals. If your preamplifier has only one set of PRE OUT, connect this unit to the speaker terminals. (See page 4.)

## Front panel



## Rear panel



- 1 Power indicator**  
Lights up while this unit is ON.

\* If the **AUTO STANDBY** switch on the rear panel is set to the LOW or HIGH position, this indicator is illuminated dimly when no signal is input to this unit.
- 2 STANDBY/ON button**  
Each press of this button turns the unit on and off (on standby). A small amount of power is always consumed even while this unit is on standby.
- 3 HIGH CUT control**  
Adjusts the high frequency cut off point. Frequencies higher than the frequency selected with this control are all cut off (and not output).
- 4 VOLUME control**  
Adjusts the volume level.
- 5 Main POWER switch**  
Normally, leave this switch to the ON position. When you will not use this unit for a long period, set this switch to the OFF position.
- 6 AUTO STANDBY switch**  
With this switch, you can activate the Automatic Standby function. Normally, set the switch to the LOW position. To cancel this function, set the switch to the OFF position.

\* Change the setting of this switch only when the power of this unit is on standby (by setting the **STANDBY/ON** button to OFF).

### Automatic Standby function

When you play a source, the power of this unit turns on automatically by sensing audio signals input to this unit. This unit turns into the standby mode automatically if the source being played is stopped or the low frequency input signal is cut off for several minutes.

This function will operate by sensing a certain level of low frequency input signal. Its sensitivity is high in the HIGH position and low in the LOW position of the **AUTO STANDBY** switch. In the HIGH position, the power will turn on even with a low level of input signal, but on the other hand this unit may not turn into the standby mode when there is an input signal even if its level is extremely low.

\* There may be a case that the power turns on unexpectedly by sensing noise from other appliances. If it occurs, set the **AUTO STANDBY** switch to the OFF or LOW position.

\* The level of low frequency input signal differs with each source, and each different part on the same source. So, this function may not operate properly depending on some sources.

**This function is available only when the power of this unit is on (by setting the STANDBY/ON button 2 to ON).**

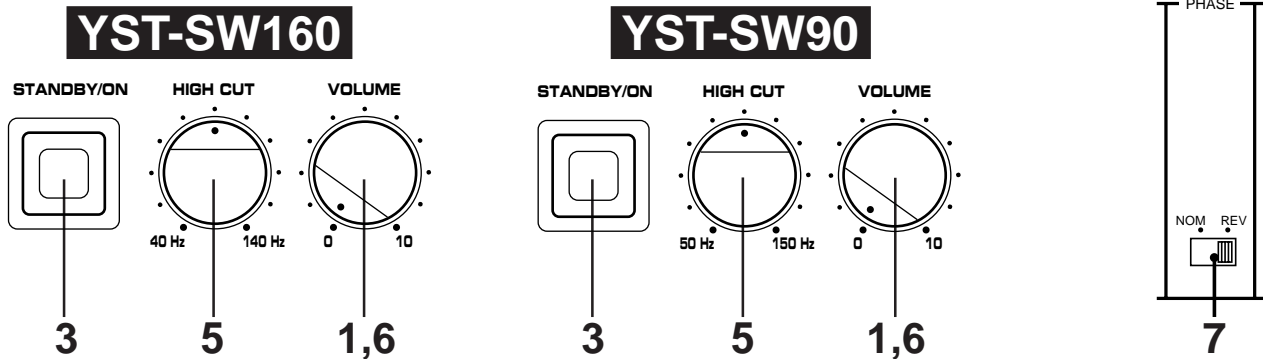
- 7 PHASE switch**  
Normally this switch is to be set to the REV (reverse) position. However, according to your speaker systems or the listening condition, there may be a case when better sound quality is obtained by setting this switch to the NOM (normal) position. Select the better position by monitoring the sound.
- 8 BASS switch** **YST-SW160 only**  
By setting this switch to the MOVIE position, the bass sound in video software is well reproduced. By setting it to the MUSIC position, the bass sound in audio software is well reproduced.

# ADJUSTING VOLUME

Adjustment of the **HIGH CUT** control, the **VOLUME** control and the **PHASE** switch needs to be changed according to the main speakers, listening condition, source, etc.

## Front panel

## Rear panel

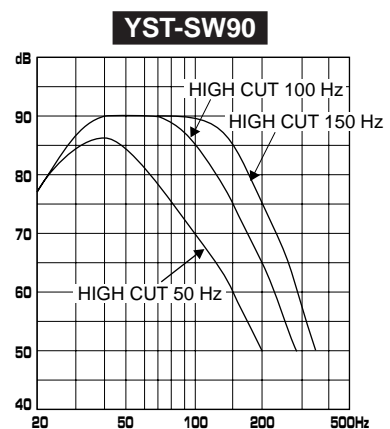
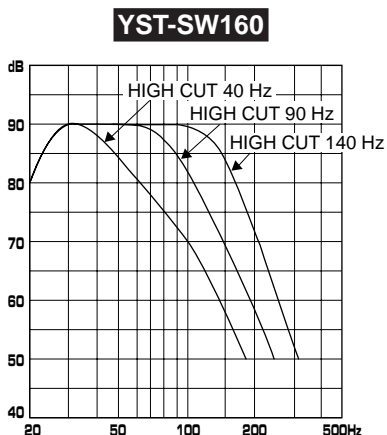


- 1** Set the **VOLUME** control to minimum (0).
- 2** Turn on the other components.
- 3** Press the **STANDBY/ON** button to turn on this unit.
- 4** Play any source and adjust the amplifier's volume control to the desired listening level.
- 5** Adjust the **HIGH CUT** control according to the main speakers connected.  
Normally, set the control to the main speaker's rated minimum reproducible frequency\*. If the desired response cannot be obtained, adjust the control again to your preference.  
\* The main speaker's rated minimum reproducible frequency can be looked up in the speakers' catalog or owner's manual.
- 6** Turn up the **VOLUME** control gradually to adjust the volume balance between this unit and the main speakers.  
Normally, set the control to the level where you can obtain a little more bass effect than when this unit is not used. If the desired response cannot be obtained, adjust the control again to your preference.
- 7** Set the **PHASE** switch to the position which gives you the better bass sound.  
Normally, set the switch to the REV (reverse) position. If the desired response cannot be obtained, set the switch to the NOM (normal) position.

Once the volume balance between this unit and the main speakers is adjusted, you can adjust the volume of your whole sound system by using only the amplifier's volume control.

## FREQUENCY RESPONSE

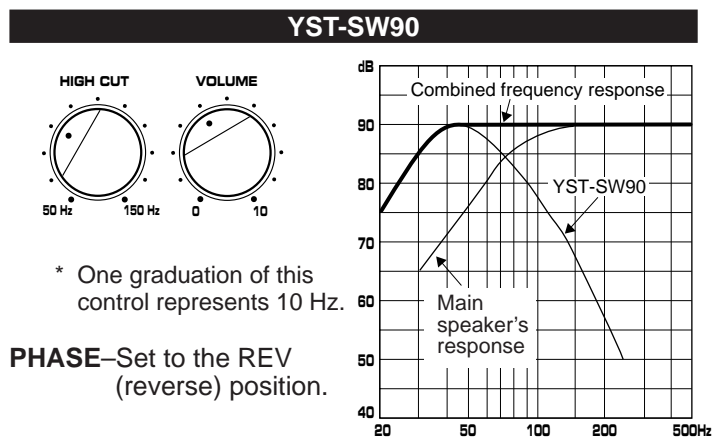
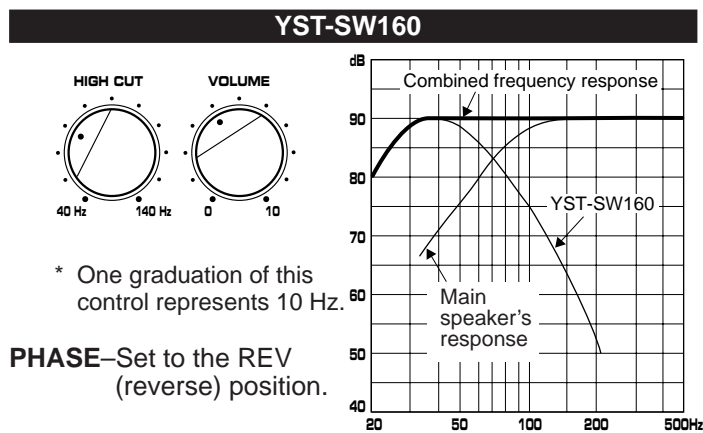
### This unit's frequency response



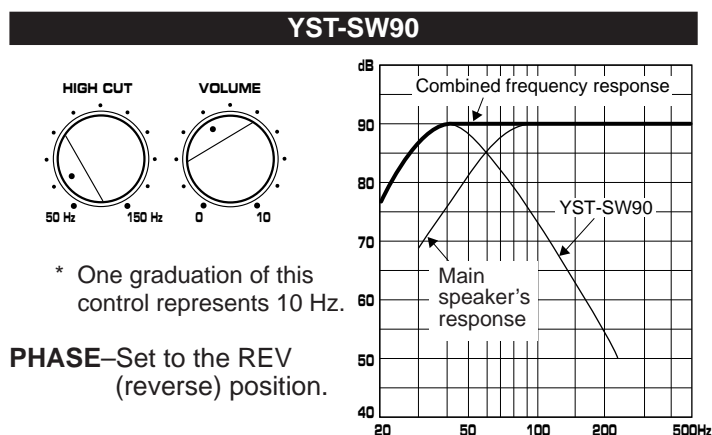
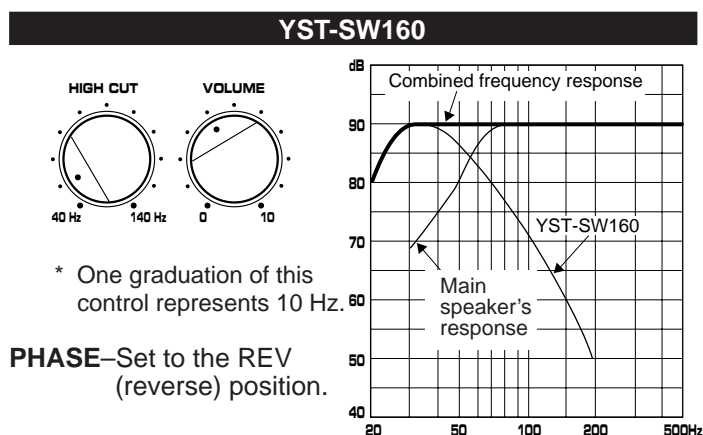


The figures below show the optimum adjustment of each control and the frequency characteristics when this unit is combined with a typical main speaker system.

**EX.1 When combined with a 4" or 5" (10 cm or 13 cm) acoustic suspension, 2 way system main speakers**



**EX.2 When combined with an 8" or 10" (20 cm or 25 cm) acoustic suspension, 2 way system main speakers**



## ADVANCED YAMAHA ACTIVE SERVO TECHNOLOGY

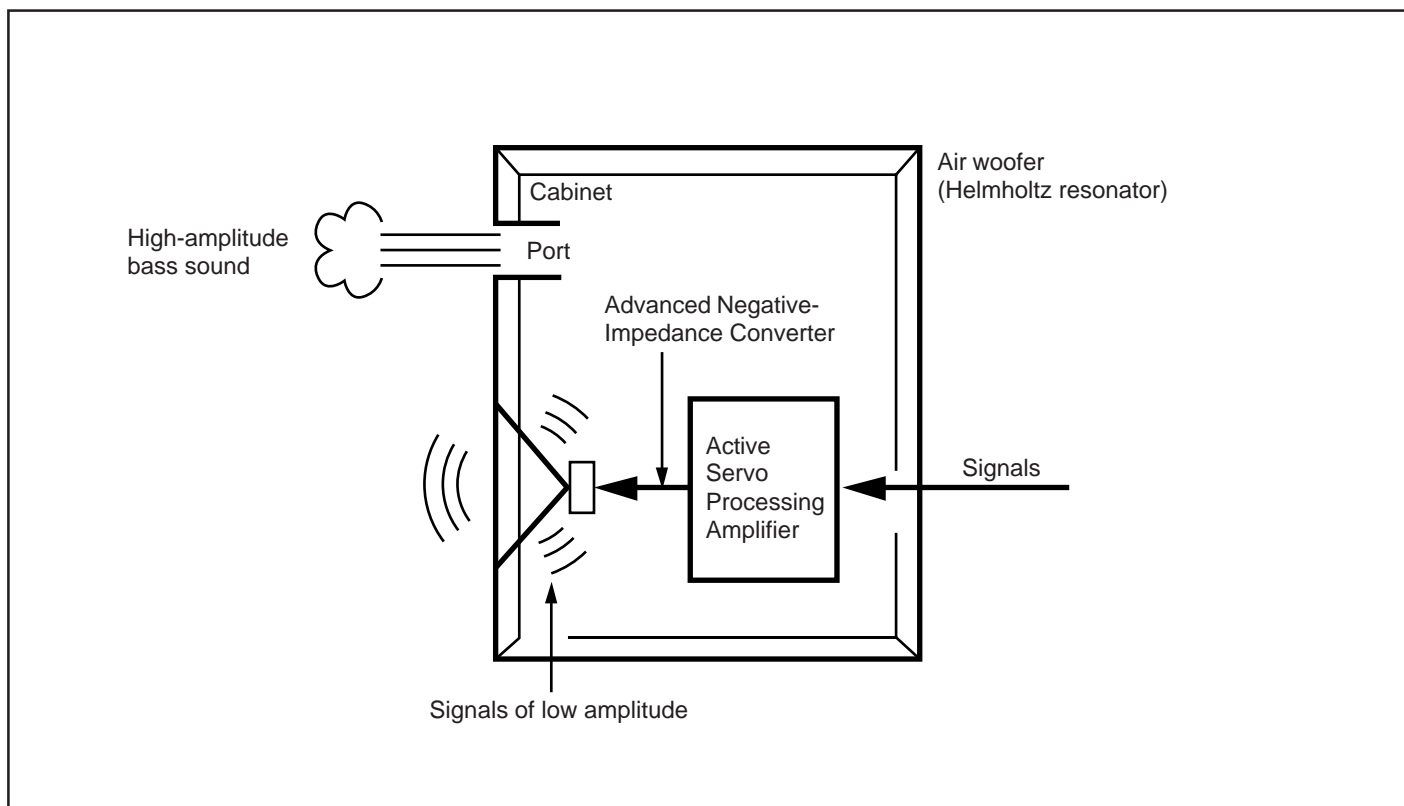
The theory of Yamaha Active Servo Technology has been based upon two major factors, the Helmholtz resonator and negative-impedance drive. Active Servo Processing speakers reproduce the bass frequencies through an “air woofer”, which is a port or opening in the speaker’s cabinet. This opening is used instead of, and performs the functions of, a woofer in a conventionally designed speaker system. Thus, signals of low amplitude within the cabinet can, according to the Helmholtz resonance theory, be output from this opening as waves of great amplitude if the design is such that the size of the opening and the volume of the cabinet are in the correct proportion to satisfy a certain ratio.

In order to accomplish this, moreover, the amplitudes within the cabinet must be both precise and of sufficient power because these amplitudes must overcome the “load” presented by the air that exists within the cabinet.

Thus it is this problem that is resolved through the employment of a design in which the amplifier functions to supply special signals. If the electrical resistance of the voice coil could be reduced to zero, the movement of the speaker unit would become linear with respect to signal voltage, and, to accomplish this, a special negative-impedance output-drive amplifier for subtracting output impedance of the amplifier is used.

By employing negative-impedance drive circuits, the amplifier is able to generate precise, low-amplitude low-frequency waves with superior damping characteristics, and these waves are then radiated from the cabinet opening as high-amplitude signals. The system can, therefore, by employing the negative-impedance output drive amplifier and a speaker cabinet with the Helmholtz resonator, reproduce an extremely wide range of frequencies with amazing sound quality and less distortion. The features described above, then, are combined to be the fundamental structure of the conventional Yamaha Active Servo Technology.

Our new Active Servo Technology — Advanced Yamaha Active Servo Technology — adopted Advanced Negative Impedance Converter (ANIC) circuits, which allows the conventional negative impedance converter to dynamically vary in order to select an optimum value for speaker impedance variation. With this new ANIC circuits, Advanced Yamaha Active Servo Technology can provide more stable performance and improved maximum sound pressure compared with the conventional Yamaha Active Servo Technology, resulting in more natural and energetic bass reproduction.







---

YAMAHA ELECTRONICS CORPORATION, USA 6660 ORANGETHORPE AVE., BUENA PARK, CALIF. 90620, U.S.A.  
YAMAHA CANADA MUSIC LTD. 135 MILNER AVE., SCARBOROUGH, ONTARIO M1S 3R1, CANADA  
YAMAHA ELECTRONIK EUROPA G.m.b.H. SIEMENSSTR. 22-34, 25462 RELINGEN BEI HAMBURG, F.R. OF GERMANY  
YAMAHA ELECTRONIQUE FRANCE S.A. RUE AMBROISE CROIZAT BP70 CROISSY-BEAUBOURG 77312 MARNE-LA-VALLEE CEDEX02, FRANCE  
YAMAHA ELECTRONICS (UK) LTD. YAMAHA HOUSE, 200 RICKMANSWORTH ROAD WATFORD, HERTS WD1 7JS, ENGLAND  
YAMAHA SCANDINAVIA A.B. J A WETTERGRENS GATA 1, BOX 30053, 400 43 VÄSTRA FRÖLUNDA, SWEDEN  
YAMAHA MUSIC AUSTRALIA PTY, LTD. 17-33 MARKET ST., SOUTH MELBOURNE, 3205 VIC., AUSTRALIA

YAMAHA CORPORATION  
Printed in Malaysia V304660